

Item# _____
Project: _____
Qty: _____

Ranges with Griddles

SGR-2B-24G

SGR-4B-12G
Not Shown

SGR-6B-24G
Not Shown



Features

- 30,000 BTU per open top burner
- 31,000 BTU per oven with U-shaped burner
- 20,000 BTU per griddle
- Fully welded frame for stability
- Stainless steel front, back riser and galvanized sides
- Coved pilot burner cover to prevent clogging from spillage
- Durable stainless steel pilot
- Easily removable heavy duty cast grates/12" x 12"
- Pull out crumb tray with rounded edges to prevent heat transfer
- 6" Adjustable heavy duty stainless steel legs
- Full size sheet pan fits side-to-side or front-to-back
- Oven thermostat adjusts from 250° to 550° F
- 2 Oven racks and 4 rack positions
- Built for natural gas and supplied with LP conversion kit

One Year - Parts & Labor on entire unit. Valid in United States
- Valid for commercial use only



Serv-Ware
www.servware.com

Phone:(800).768.5953

Revised 10/18

Fax:(800).976.1299



Intertek

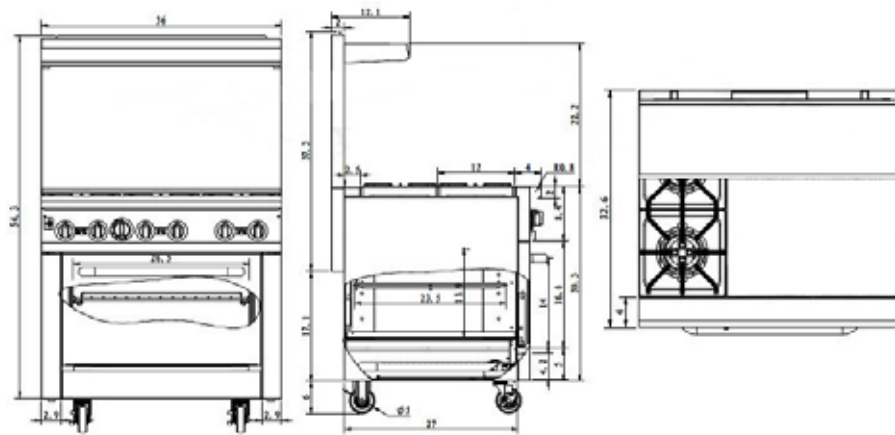


Intertek

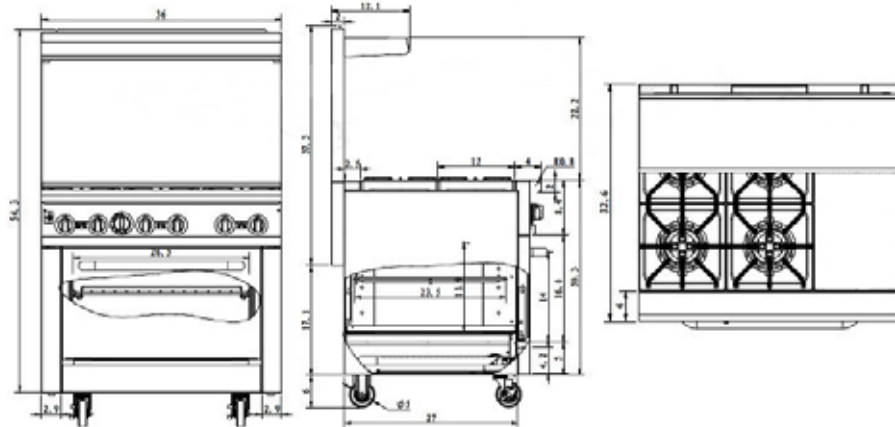
Serv-Ware

Ranges with Griddles

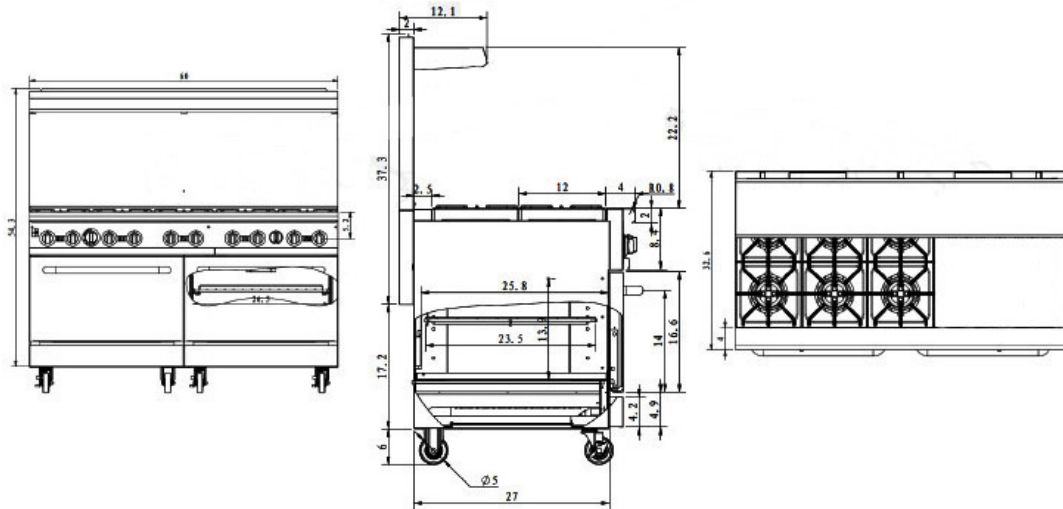
SGR-2B-24G



SGR-4B-12G



SGR-6B-24G



Serv-Ware

Model	Description	Dimensions (W x D x H)	Weight / lbs. (Shipping)
SGR-2B-24G	2 Burner, 1 Oven, 24" Griddle	36" x 32.6" x 60"	507
SGR-4B-12G	4 Burner, 1 Oven, 12" Griddle	36" x 32.6" x 60"	458
SGR-6B-24G	6 Burner, 2 Ovens, 24" Griddle	60" x 32.6" x 60"	816



Serv-Ware
www.servware.com
 Phone: (800).768.5953

Revised 10/18
 Fax: (800).976.1299

